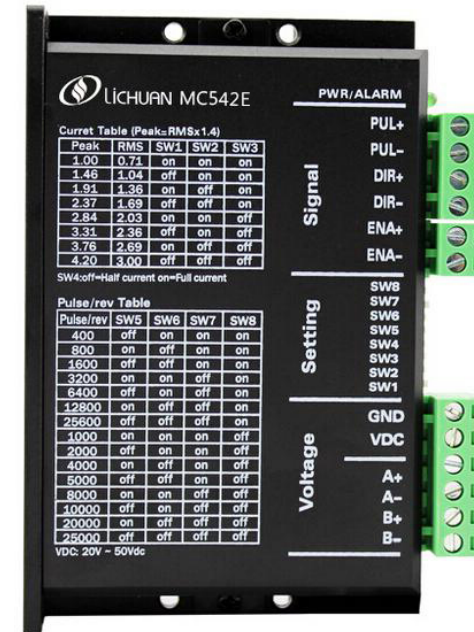




Instruction Book for

MC542E



2 Phase Digital Stepper Driver

20-50VDC / 4.2A



Shenzhen Xinlichuan Electric Co.,Ltd.

Add: Area B, Floor 8, Block20, Guang Qian Industrial Zone,
No.3 Long Zhu Road, Nanshan District, Shen Zhen, Guang Dong, China

CATALOG

| | | | |
|---|-----------|--|-----------|
| 1. Introduction..... | 3 | 6. Power Supply Selection..... | 11 |
| ◆ Introduction..... | 3 | ◆ Supply Voltage of Power Supply Selection..... | 11 |
| ◆ Features..... | 3 | ◆ Output Current of Power Supply Selection..... | 12 |
| ◆ Applications..... | 3 | 7. Selecting Microstep Resolution and Output Current..... | 12 |
| 2. Specifications..... | 4 | ◆ Microstep Resolution Selection..... | 12 |
| ◆ Electrical Specifications | 4 | ◆ Current Settings..... | 13 |
| ◆ Operating Environment..... | 4 | ◆ Standstill current setting..... | 14 |
| ◆ Installation Specifications | 4 | 8. Wiring Notes..... | 14 |
| ◆ Elimination of Heat..... | 5 | 9. Protection Functions..... | 15 |
| 3. External Terminal Instructions..... | 5 | ◆ Over-current Protection..... | 15 |
| ◆ Control Signal Connector..... | 5 | ◆ Over-voltage Protection..... | 15 |
| ◆ Power Interface..... | 6 | ◆ Phase Error Protection..... | 15 |
| 4. Control Signal Connector Interface..... | 6 | 10. Frequently Asked Questions..... | 16 |
| ◆ Typical Connection..... | 7 | ◆ Problem Symptoms and Possible Causes..... | 16 |
| ◆ Control Signals Sequence Chart..... | 8 | | |
| 5. Connecting the Motor..... | 10 | | |
| ◆ Connections to 4-lead Motors..... | 10 | | |
| ◆ Connections to 8-lead Motors..... | 10 | | |

1. Introduction

◆ Introduction

MC542E is a new generation of digital 2-phase hybrid stepping motor drive based on a DSP with advanced control algorithm. Arbitrary microstepping within 128 and any current value within the rated current can be set according to users' needs. Due to it increases the function of automatic identification of motor parameters inside, corresponding operation parameters can be set for different motors, which make motors run smoothly with smaller noise. It is suitable for driving 2-phase Nema17, Nema23 hybrid stepper motors.

◆ Features

- Supply voltage: 20~50 VDC;
- Output current: 1.0 A~4.2 A;
- Pulse input frequency: 200KHz;
- 15 selectable resolutions up to 25,600 steps/rev;
- TTL compatible and optically isolated input;
- Pure-sinusoidal current control technology;
- Self-adjustment technology;
- Support PUL/DIR and CW/CCW modes;
- Short-voltage, over-voltage, over-current protections;
- Automatic idle-current reduction.

◆ Applications

Suitable for a wide range of stepping motors, from NEMA size 17 to 34. It can be used in various kinds of machines, such as X-Y tables, engraving machines, labeling machines, laser cutters, pick-place devices, and so on. Particularly adapt to the applications desired with low noise, low heating, high speed and high precision.

2. Specifications

◆ Electrical Specifications (T_j = 25 °C/77 °F)

| Parameters | Min | Typical | Max |
|-----------------------|---------|---------|---------|
| Output current | 1.0A | | 4.2 A |
| Supply voltage | +20VDC | +36VDC | +50VDC |
| Logic signal current | 7mA | 10 mA | 16 mA |
| Pulse input frequency | 0 | | 300 kHz |
| Isolation resistance | 500 M Ω | | |

◆ Operating Environment

| Environment | Avoid dust, oil fog and corrosive gases |
|-----------------------|---|
| Ambient Temperature | 0 °C — 50 °C |
| Humidity | 40%RH — 90%RH |
| Operating Temperature | 70 °C Max |
| Vibration | 5.9m/s ² Max |
| Storage Temperature | -20 °C — 65 °C |

◆ Installation specifications (unit: mm)

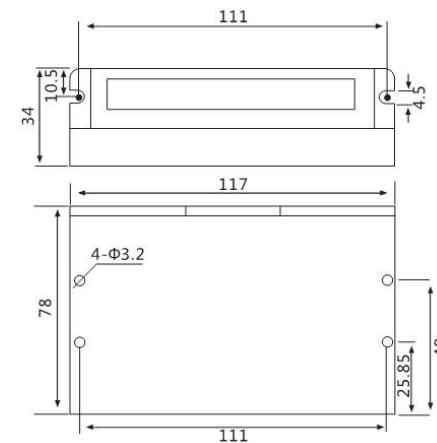


Figure 1: Installation specifications

◆ Elimination of Heat

- Driver's reliable working temperature should be $<70^{\circ}\text{C}$ (158°F), and motor working temperature should be $<80^{\circ}\text{C}$ (176°F);
- It is recommended to use automatic idle-current mode, namely current automatically reduce to 60% when motor stops, so as to reduce driver heating and motor heating;
- It is recommended to mount the driver vertically to maximize heat sink area. Use forced cooling method to cool the system if necessary.

3. External terminal instructions

◆ Control Signal Connector

| Pin Function | Details |
|--------------|--|
| PUL+ | Pulse signal: In single pulse (pulse/direction) mode, this input represents pulse signal, each rising or falling edge active; 4-5V when PUL-HIGH, 0-0.5V when PUL-LOW. For reliable response, pulse width should be longer than $1.5\ \mu\text{s}$. Series connect resistors for current-limiting when +12V or +24V used. The same as DIR and ENA signals. |
| PUL- | |
| DIR+ | DIR signal: In single-pulse mode, this signal has low/high voltage levels, representing two directions of motor rotation; For reliable motion response, DIR signal should be ahead of PUL signal by $5\ \mu\text{s}$ at least. 4-5V when DIR-HIGH, 0-0.5V when DIR-LOW. Please note that rotation direction is also related to motor-driver wiring match. Exchanging the connection of two wires for a coil to the driver will reverse motion direction. |
| DIR- | |
| ENA+ | Enable signal: This signal is used for enabling/disabling the driver. High level (NPN control signal, PNP and Differential control signals are on the contrary, namely Low level for enabling,) for enabling the driver and low level for disabling the driver. Usually left UNCONNECTED (ENABLED). |
| ENA- | |

◆ Power Interface

| Pin Function | Details |
|--------------|---|
| +V | Power supply, 20~50 VDC, Including voltage fluctuation and EMF voltage. |
| GND | Power Ground. |
| A+, A- | Motor Phase A |
| B+, B- | Motor Phase B |

4. Control Signal Connector Interface

The MC542E can accept differential and single-ended inputs (including open-collector and PNP output). The MC542E has 3 optically isolated logic inputs which are located on connector P1 to accept line driver control signals. These inputs are isolated to minimize or eliminate electrical noises coupled onto the drive control signals. Recommend use line driver control signals to increase noise immunity of the driver in interference environments. In the following figures, connections to open-collector and PNP signals are illustrated.

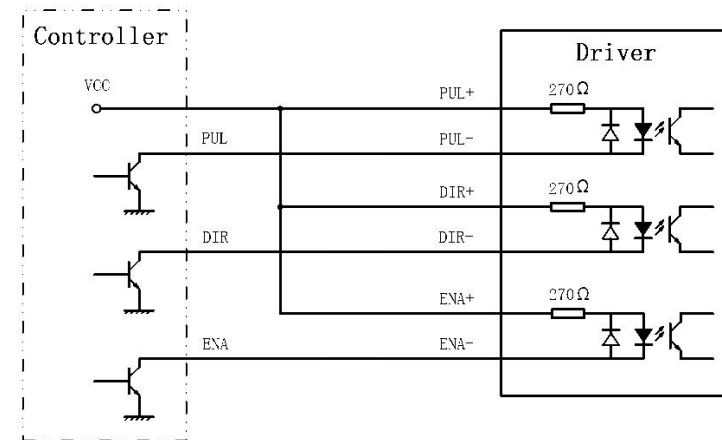


Figure 2: Connections to open-collector signal (common-anode)

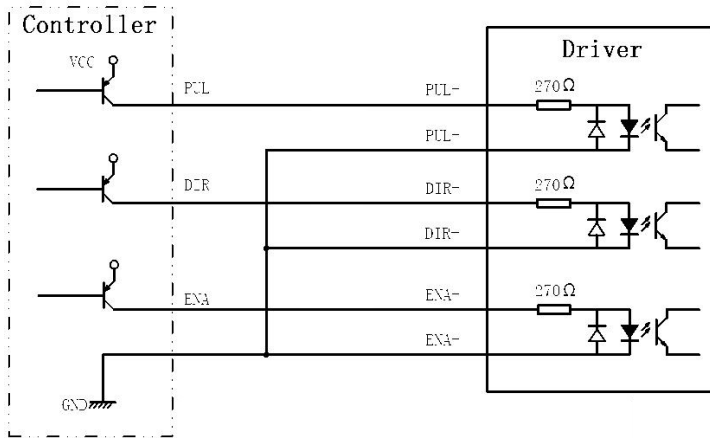


Figure 3: Connection to PNP signal (common-cathode)

◆ Typical Connection

A complete stepping system should include stepping motor, stepping driver, power supply and controller (pulse generator). A typical connection is shown as figure 4.

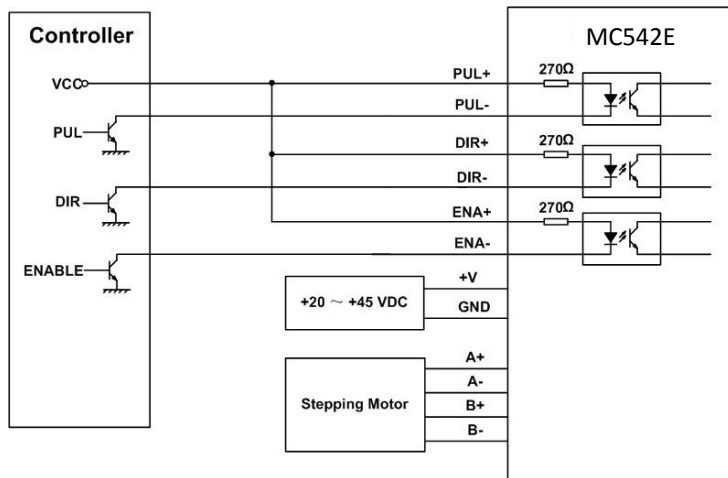


Figure 4: Typical connection

◆ Sequence Chart of Control Signals

In order to avoid some fault operations and deviations, PUL, DIR and ENA should abide by some rules, shown as following diagram:

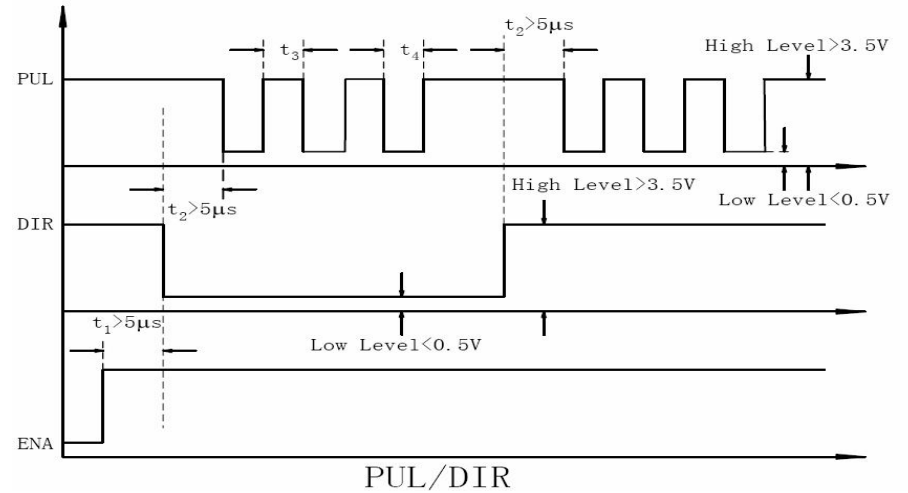


Figure 5: Sequence chart of control signals

Remark:

- t1: ENA must be ahead of DIR by at least 5 ms. Usually, ENA+ and ENA- are NC (not connected). See “Connector P1 Configurations” for more information.
- t2: DIR must be ahead of PUL effective edge by 5ms to ensure correct direction;
- t3: Pulse width not less than 1.5 ms;
- t4: Low level width not less than 1.5 ms.

5. Connecting the Motor

The M542E V2.0 can drive any 2-phase and 4-phase hybrid stepping motors.

◆ Connections to 4-lead Motors

4 lead motors are the least flexible but easiest to wire. Speed and torque will depend on winding inductance. In setting the driver output current, multiply the specified phase current by 1.4 to determine the peak output current.

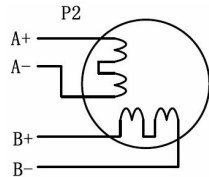


Figure 6: 4-lead Motor Connections

◆ Connections to 8-lead Motors

8 lead motors offer a high degree of flexibility to the system designer in that they may be connected in series or parallel, thus satisfying a wide range of applications.

• Series Connections

A series motor configuration would typically be used in applications where a higher torque at lower speeds is required. Because this configuration has the most inductance, the performance will start to degrade at higher speeds. In series mode, the motors should also be run at only 70% of their rated current to prevent over heating.

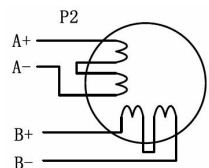


Figure 7: 8-lead motor series connections

• Parallel Connections

An 8 lead motor in a parallel configuration offers a more stable, but lower torque at lower speeds. But because of the lower inductance, there will be higher torque at higher speeds. Multiply the per phase (or unipolar) current rating by 1.96, or the bipolar current rating by 1.4, to determine the peak output current.

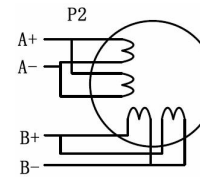


Figure 8: 8-lead motor parallel connections

6. Power Supply Selection

The MC542E can match medium and small size stepping motors (from NEMA frame size 23 to 34) made by Lichuan or other motor manufactures around the world. To achieve good driving performances, it is important to select supply voltage and output current properly. Generally speaking, supply voltage determines the high speed performance of the motor, while output current determines the output torque of the driven motor

(particularly at lower speed). Higher supply voltage will allow higher motor speed to be achieved. If the motion speed requirement is low, it's better to use lower supply voltage to decrease noise, heating and improve reliability.

◆ Supply Voltage of Power Supply Selection

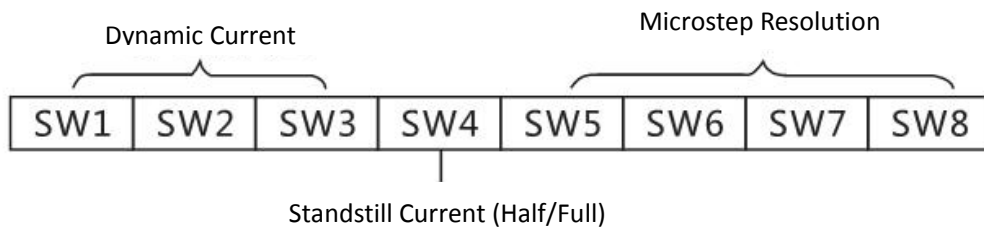
The selection of power supply voltage of the hybrid stepping motor driver is generally a wide range, and the supply voltage is usually chosen according to the operating speed and response requirements of the motor. If the motor operating speed is high or the response requirements are fast, then the voltage value is also high, but pay attention to the supply voltage ripple can not exceed the maximum input voltage of the driver, otherwise it may damage the driver. If the motor operating speed is low, you can consider the lower voltage selection.

◆ Output Current of Power Supply Selection

Power supply current is generally based on the driver's output current “I”. If use linear power supply, the supply current is generally 1.1-1.3 times of “I”; if use the switching power supply, the supply current is generally 1.5-2 times of “I”. If a power supply supplies power to a few drivers at the same time, it should be considered that the power supply current should be properly doubled.

7. Selecting Microstep Resolution and Output Current

This driver uses an 8-bit DIP switch to set microstep resolution, and motor operating current, as shown below:



◆ Microstep Resolution Selection

Microstep resolution is set by SW5, 6, 7, 8 of the DIP switch as shown in the following table:

| Microstep | Steps/rev.(for 1.8° motor) | SW5 | SW6 | SW7 | SW8 |
|-----------|----------------------------|-----|-----|-----|-----|
| 2 | 400 | OFF | ON | ON | ON |
| 4 | 800 | ON | OFF | ON | ON |
| 8 | 1600 | OFF | OFF | ON | ON |
| 16 | 3200 | ON | ON | OFF | ON |
| 32 | 6400 | OFF | ON | OFF | ON |
| 64 | 12800 | ON | OFF | OFF | ON |
| 128 | 25600 | OFF | OFF | OFF | ON |
| 5 | 1000 | ON | ON | ON | OFF |
| 10 | 2000 | OFF | ON | ON | OFF |
| 20 | 4000 | ON | OFF | ON | OFF |
| 25 | 5000 | OFF | OFF | ON | OFF |
| 40 | 8000 | ON | ON | OFF | OFF |
| 50 | 10000 | OFF | ON | OFF | OFF |
| 100 | 20000 | ON | OFF | OFF | OFF |
| 125 | 25000 | OFF | OFF | OFF | OFF |

◆ Current Settings

For a given motor, higher driver current will make the motor to output more torque, but at the same time causes more heating in the motor and driver. Therefore, output current is generally set to be such that the motor will not overheat for long time operation. Since parallel and serial connections of motor coils will significantly change resulting inductance and resistance, it is therefore important to set driver output current depending on motor phase current, motor leads and connection methods. Phase current rating supplied by motor manufacturer is important in selecting driver current, however the selection also depends on leads and connections.

The first 3 bits (SW1, 2, 3) of the DIP switch are used to set the dynamic current.

Select a setting closest to your motor's required current.

| Peak Current | RMS Current | SW1 | SW2 | SW3 |
|--------------|-------------|-----|-----|-----|
| 1.00A | 0.71A | ON | ON | ON |
| 1.46A | 1.04A | OFF | ON | ON |
| 1.91A | 1.36A | ON | OFF | ON |
| 2.37A | 1.69A | OFF | OFF | ON |
| 2.84A | 2.03A | ON | ON | OFF |
| 3.31A | 2.36A | OFF | ON | OFF |
| 3.76A | 2.69A | ON | OFF | OFF |
| 4.20A | 3.00A | OFF | OFF | OFF |

Notes: Due to motor inductance, the actual current in the coil may be smaller than the dynamic current setting, particularly under high speed condition.

◆ Standstill current setting

SW4 is used for this purpose. OFF meaning that the standstill current is set to be half of the selected dynamic current, and ON meaning that standstill current is set to be the same as the selected dynamic current.

The current automatically reduced to 60% of the selected dynamic current one second after the last pulse. Theoretically, this will reduce motor heating to 36% (due to $P=I^2 \cdot R$) of the original value. If the application needs a different standstill current, please contact Lichuan.

8. Wiring Notes

- In order to improve anti-interference performance of the Driver, it is recommended to use twisted pair shield cable.
- To prevent noise incurred in PUL/DIR signal, pulse/direction signal wires and motor wires should not be tied up together. It is better to separate them by at least 10 cm, otherwise the disturbing signals generated by motor will easily disturb pulse direction signals, causing motor position error, system instability and other failures.
- If a power supply serves several drivers, separately connecting the Drivers is recommended instead of serial connection.
- It is prohibited to pull and plug the driver terminal while the driver is powered ON, because there is high current flowing through motor coils (even when motor is at standstill). Pulling or plugging the driver terminal with power on will cause extremely high back-EMF voltage surge, which may damage the driver.

9. Protection Functions

To improve reliability, the driver incorporates some built-in protection functions. The MC556 uses one RED LED to indicate what protection has been activated. The periodic time of RED is 3s (seconds), and how many times the RED turns on indicates what protection has been activated. Because only one protection can be displayed by RED LED, so the Driver will decide what error to display according to their priorities. See the following Protection Indications table for displaying priorities.

◆ **Over-current Protection**

Over-current protection will be activated when continuous current exceeds 16A or in case of short circuit between motor coils or between motor coil and ground, and RED LED will turn on once within each periodic time (3 s).

◆ **Over-voltage Protection**

When power supply voltage exceeds 80 ± 1 VDC , protection will be activated and RED LED will turn on twice within each periodic time (3 s).

◆ **Phase Error Protection**

Motor power lines wrong & not connected will activate this protection. RED LED will turn on four times within each periodic time (3 s).

Attention:

When above protections are active, the motor shaft will be free or the LED will turn red. Reset the Driver by repowering it to make it function properly after removing above problems. Since there is no protection against power leads (+ , -) reversal, it is critical to make sure that power supply leads correctly connected to Driver. Otherwise, the Driver will be damaged instantly.

10. Frequently Asked Questions

In the event that your Driver doesn't operate properly, the first step is to identify whether the problem is electrical or mechanical in nature. The next step is to isolate the system component that is causing the problem. As part of this process you may have to disconnect the individual components that make up your system and verify that they operate independently. It is important to document each step in the troubleshooting process. You may need this documentation to refer back to at a

later date, and these details will greatly assist our technical support staff in determining the problem for you.

Many of the problems that affect motion control systems can be traced to electrical noise, controller software errors, or mistake in wiring.

◆ **Problem Symptoms and Possible Causes**

| Symptoms | Possible Problems |
|--------------------------------------|---|
| Motor is not rotating | Microstep resolution setting is wrong DIP switch current setting is wrong Fault condition exists |
| Motor rotates in the wrong direction | Motor phases may be connected in reverse |
| Driver in fault | DIP switch current setting is wrong Something wrong with motor coil Control signal is too weak |
| Erratic motor motion | Control signal is too weak Control signal is interfered Wrong motor connection Something wrong with motor coil Current setting is too small, losing steps |
| Motor stalls during acceleration | Motor is undersized for the application Acceleration is set too high Power supply voltage too low |
| Excessive motor and Driver heating | Inadequate heat sinking / cooling Automatic current reduction function not being utilized Current is set too high |